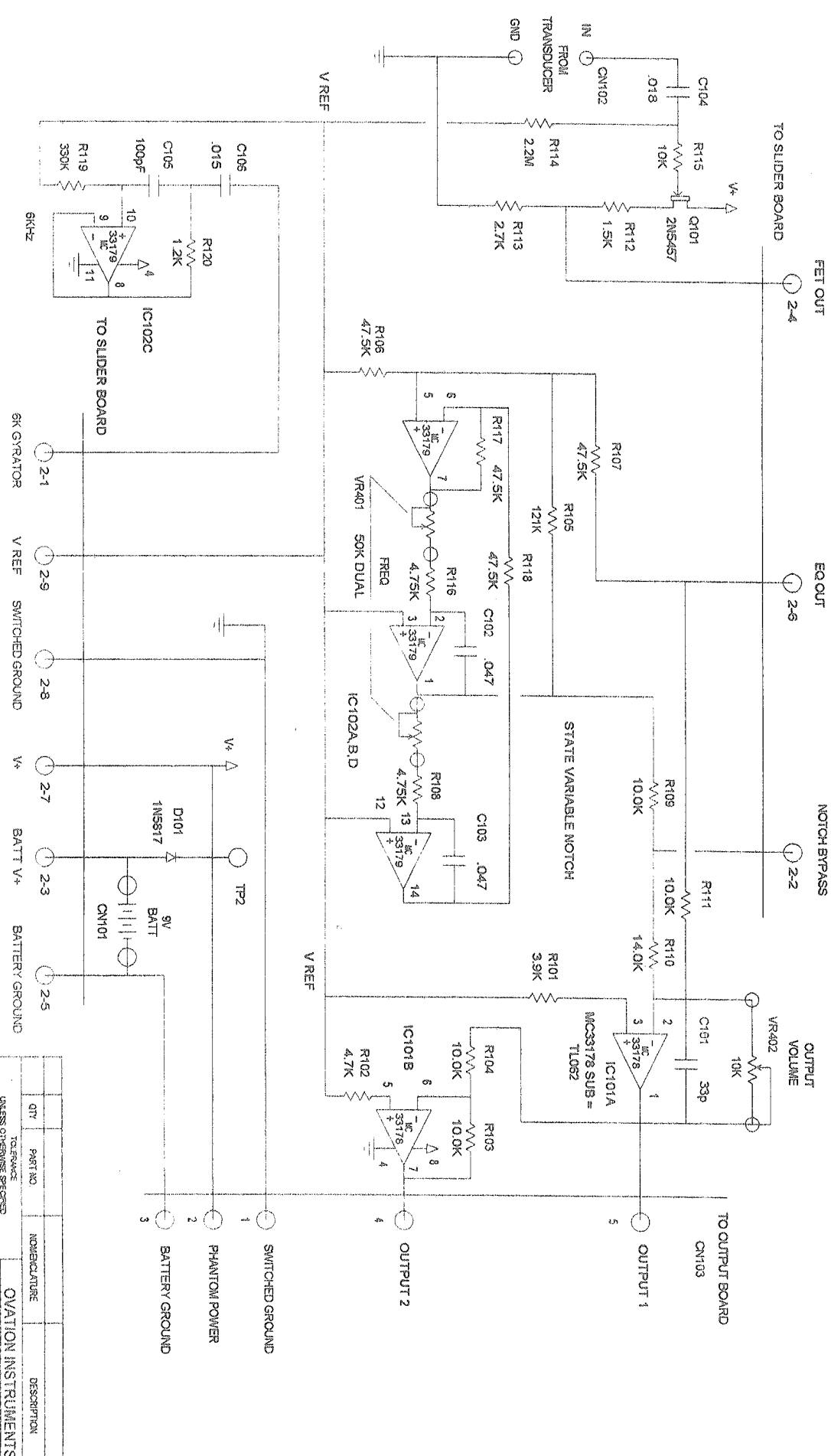


INPUT BOARD



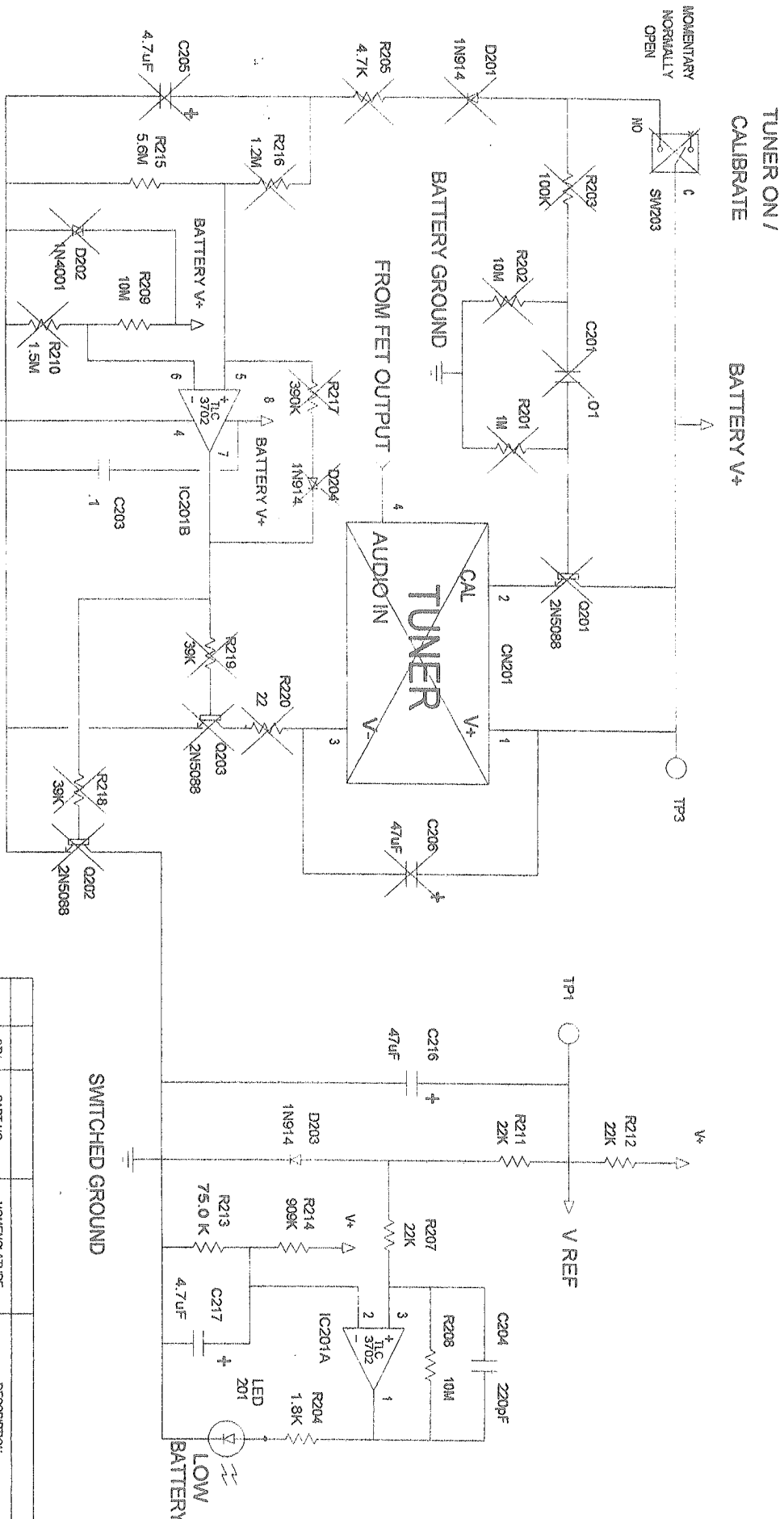
| QTY | PART NO. | DESCRIPTION |
|-----|----------|--|
| | | UNLESS OTHERWISE SPECIFIED |
| | | TOLERANCE |
| | | RESISTORS .1% .5% 1% 5% 10% |
| | | CAPACITORS .1% .5% 1% 5% 10% |
| | | ALL DIMENSIONS IN INCHES AND MILLIMETERS |
| | | APPROVED |
| | | DATE |
| | | DESIGNER |
| | | DWG. NO. |
| | | REV. |
| | | SCALE |
| | | SHEET 1 OF 4 |

OP-X Schematic

40-601BH

2

SLIDER BOARD



X = NOT STUFFED

| QTY | PART NO. | NO./ENCLOSURE | DESCRIPTION |
|-----------------------|----------|---------------|---------------------|
| | | | OVATION INSTRUMENTS |
| OP-X Schematic | | | |
| DESIGNER | DATE | | PRODUCT DESIGN NO |
| DRWN: N.M. | 8/17/94 | | 40-602BH |
| CHECKED: b/h | | | REV: 2 |
| APPROVED: | SCALE: | | SHEET 20F 4 |

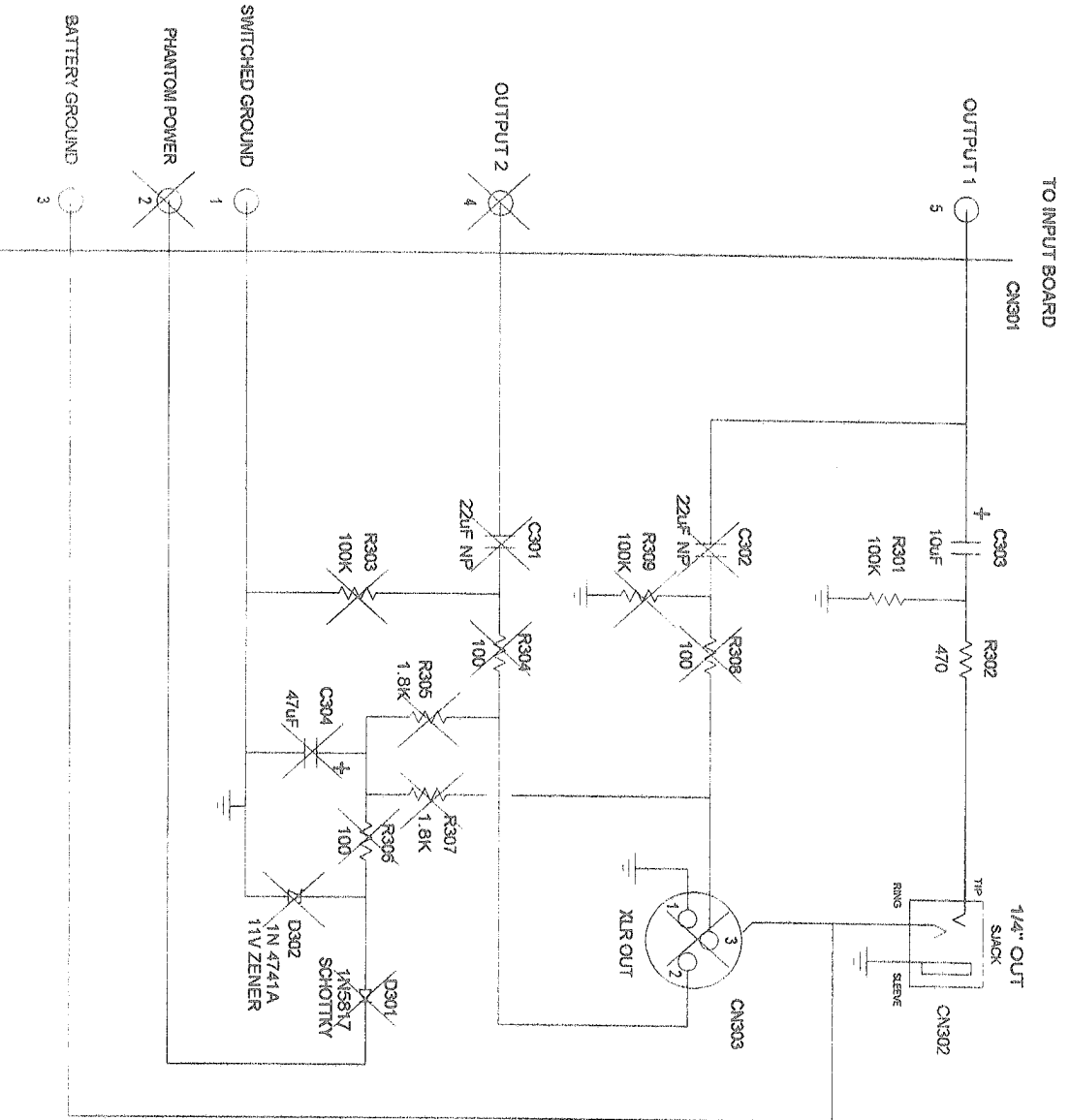
TOLERANCE
 UNLESS OTHERWISE SPECIFIED
 DECIMAL .005
 FRACTIONAL 1/32
 ANGLES .015

OP-X Schematic

40-602BH

REV: 2

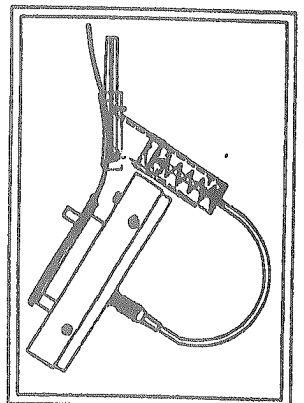
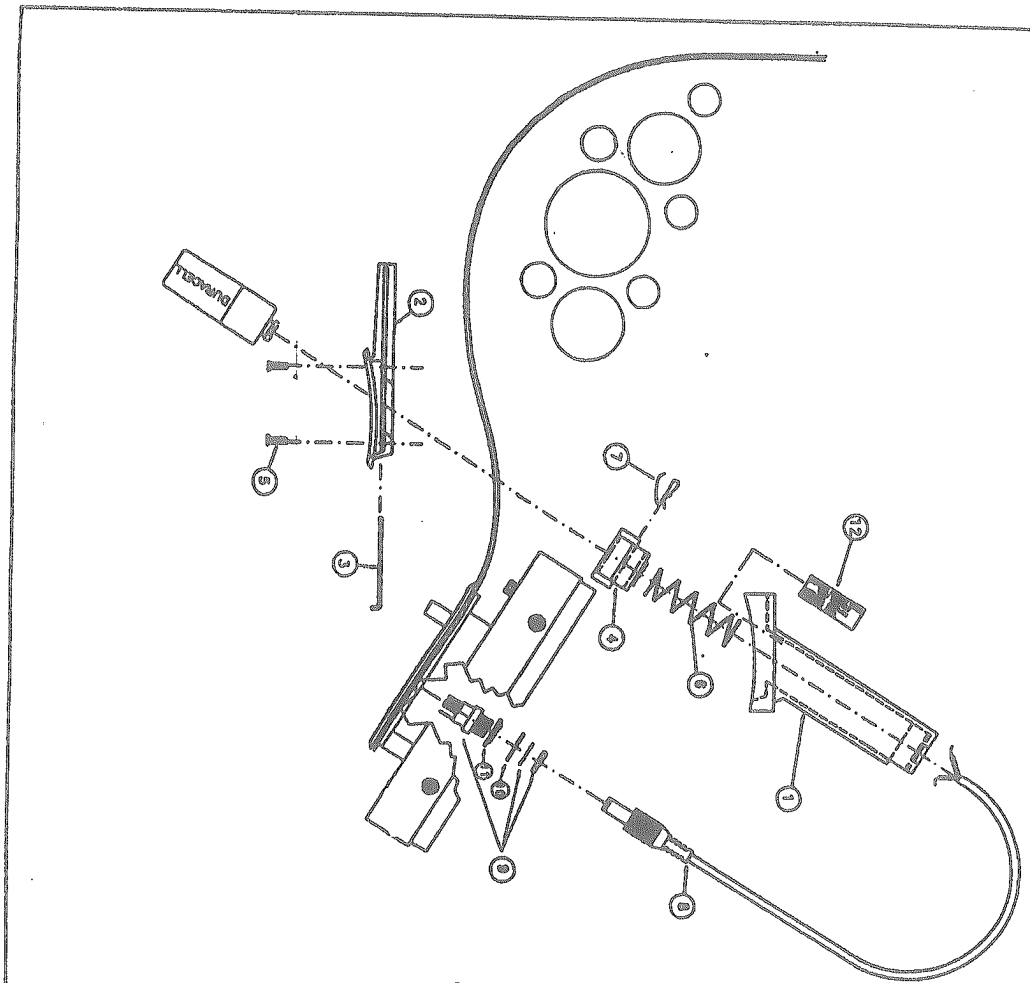
OUTPUT BOARD



X = NOT STUFFED

| QTY | PART NO. | NONERICLATURE | DESCRIPTION |
|---|----------|---|------------------|
| TOLERANCE UNLESS OTHERWISE SPECIFIED DECIMAL .010 FRACTION 1/32 PERCENT .05 DIMENSIONS IN BRACKETS ARE IN MILLIMETERS .0005 .0010 .0015 | | | |
| | | OVATION INSTRUMENTS OP-X Schematic | |
| DRAWN | N.M. | DATE | DWG SIZE |
| CHECKED | d/h | 8/17/94 | PRODUCT DWG. NO. |
| APPROVED | | | 40-604BH |
| SCALE | | | REV |
| | | | 2 |
| SHEET 4 OF 4 | | | |

NEW BATTERY BOX ASSEMBLY



| | | | |
|----|---|-------------|---------------------|
| 12 | 1 | 990143-A | LABEL |
| 11 | 1 | 560304-A-00 | INSULATING WASHER |
| 10 | 1 | 560305-A-09 | INSULATING WASHER |
| 9 | 1 | 490008-A | JACK |
| 8 | 1 | 490007-A | PLUG & CABLE ASSY |
| 7 | 2 | 700343-A-13 | BATTERY CLIP |
| 6 | 1 | 950081-A | SPRING |
| 5 | 4 | 536101-A-09 | SCREW |
| 4 | 1 | 705104-A-00 | BATTERY CLIP HOLDER |
| 3 | 1 | 705103-A-00 | DOOR |
| 2 | 1 | 705102-A-00 | BEZEL |
| 1 | 1 | 705101-A-00 | BATTERY BOX |