

attenuation scale.

### ***Changing the Battery***

If the output of the preamp starts to distort at high levels, it's time to replace the battery. An Alkaline battery, like the one supplied with your Ovation should last for about 100 hours of use. Since current is drawn from the battery only when the guitar is plugged in, conserve battery life by unplugging you guitar when not in use. To replace the battery (refer to Fig. 3):

1. Loosen the strings until you can put your hand in the sound hole.
2. Turn the external screw at the side of the upper bout of the guitar counterclockwise  $\frac{1}{4}$  turn.
3. Slide the cover off of the battery box; insert the new battery (observing the correct polarity) and replace the cover.
4. Locate the rubber mount of the battery case up against the side of the guitar in alignment with the retaining screw. Turn screw  $\frac{1}{4}$  turn clockwise to retain battery case.

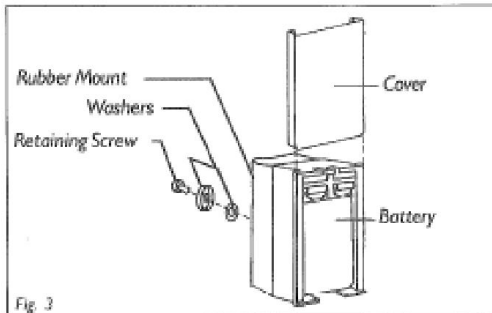


Fig. 3