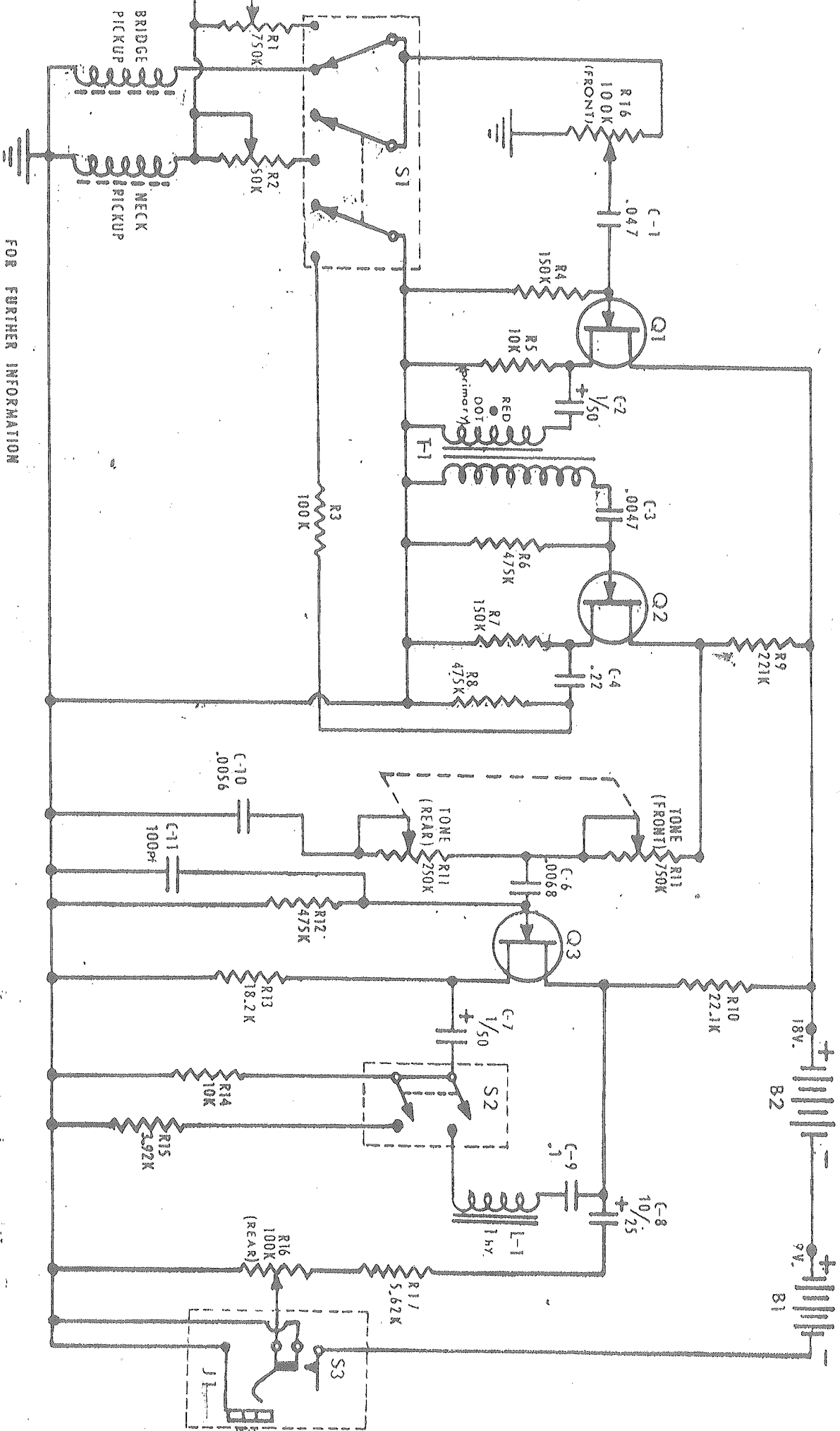


# CIRCUIT DIAGRAM 1251-0-350 F



FOR FURTHER INFORMATION  
 SEE PARTS LIST 1251-0-350 F  
 SUBJECT TO CHANGE WITHOUT NOTICE  
 NOTE: ALL CAPACITANCE IN "mf" UNLESS OTHERWISE SPECIFIED.

## DAVION INSTRUMENTS